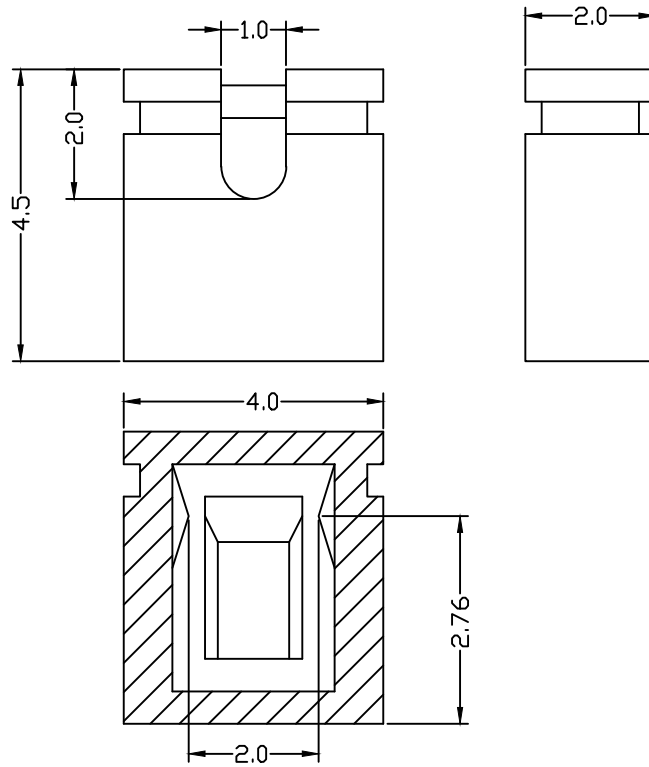


## SPECIFICATIONS

Current Rating: 3 Amps  
 Insulator Resistance: 1000 Megohms min.  
 Contact Resistance: 30 m ohms max.  
 Dielectric withstanding: AC 650V  
 Insulator Material: PBT 30% Glass Fiber UL 94V-0  
 Contact Material: Brass or Phosphor Bronze  
 Contact Plating: 10u", 50u" Gold Plated  
 or Gold Flash



**MJP-045-VXX-G**  
 Shunt Height: 4.5 mm

- RoHS Compliant
- Contact Plating
- 50: 50u" Gold
- 10: 10u" Gold
- GF: Gold Flash

**APTOS Technology CONFIDENTIAL**  
 This document, and all information it contains, are the confidential, proprietary property of APTOS Technology. Disclosure, duplication or distribution of this document, or any information it contains, in whole or part, without prior written permission from APTOS Technology is strictly prohibited

| GENERAL TOLERANCE UNLESS OTHERWISE SPECIFIED |          | AP APTOS TECHNOLOGY   |         |
|--|----------|---|---------|
| XXX. ± X                                     | .XX ± X  | <div style="display: flex; justify-content: space-between;"> <div style="width: 45%;"> <p style="margin: 0;">MJP Series</p> <p style="margin: 0;">2.00 mm Pitch - 4.5 mm Height</p> <p style="margin: 0;">PRODUCT NO. MJP-045-VXX-G</p> <p style="margin: 0;">FILE NAME: MJP_045_LF_APD.DWG</p> </div> <div style="width: 45%; text-align: right;"> <p style="margin: 0;">06/09/00</p> <p style="margin: 0;">APPROVED</p> <p style="margin: 0;">SIZE A4</p> </div> </div> |         |
| XX. ± X                                      | .XXX ± X |   |         |
| X. ± X                                       | X. ± X   |   |         |
| .X ± X                                       | .X ± X   |   |         |
| REV. 1                                       | DRAWN    | DATE 06/09/00   | CHECKED |
| SCALE 1:1                                    | APPROVED |   |         |
| UNIT mm                                      |          |   |         |